



SINGLE RJ45 CONNECTOR MODULE WITH 10/100 BASE-TX MAGNETICS AND LEDS

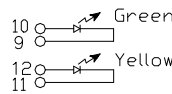
P/N: J1B1211CCD

Feature

- Suitable for CAT 5 & 6 Fast Ethernet Cable or better UTP.
- Meets or exceeds IEEE 802.3 standard for 100 Base-T.
- 350 μ H minimum OCL with 8 mA bias current.
- Minimum 1500 Vrms isolation per IEEE 802.3 requirement.
- All materials are RoHS and UL94-V0 compliant.
- RoHS peak solder rating 260°C.
- Meet EN60950-1 basic insulation requirement.
- Recommended panel.



Part Number	9,10 (Left Led)	11,12 (Right Led)
2	Green	Yellow



Electrical Specifications @ 25°C

Part Number	Turns Ratio ($\pm 5\%$)		Insertion Loss (dB Max) 1-100MHz	Return Loss 100ohm \pm 5ohm (dB Min)		
	TX	RX		1-30MHz	30-60MHz	60-80MHz
J1B1211CCD	1CT : 1CT	1CT : 1CT	-1.0	-18	-14	-12

Electrical Specifications @ 25°C

Part Number	Crosstalk (dB Min)	Common Mode Rejection (dB Min) 1-100MHz	HI-POT (Vac) @60s 1500
	1-100MHz		
J1B1211CCD	-30	-30	1500

RJ45 Durability Testing Rating & Material Specification

Part Number	Durability 750 Insertions	Mating Force 5 lbs./2.268 kgs.	Shield	
			Material Brass	Finish 30 μ inches Nickel over
J1B1211CCD				

RJ45 Material Specification

Part Number	Contact		Housing	
	Material Phosphor Brass	Plating Area 50 μ inches Nickel over selective gold plating 6 μ inches	Material Thermoplastic	Specification UL 94 V-0
J1B1211CCD				

* Operating temperature range: -40°C to +85°C. Storage temperature range: -40°C to +125°C.

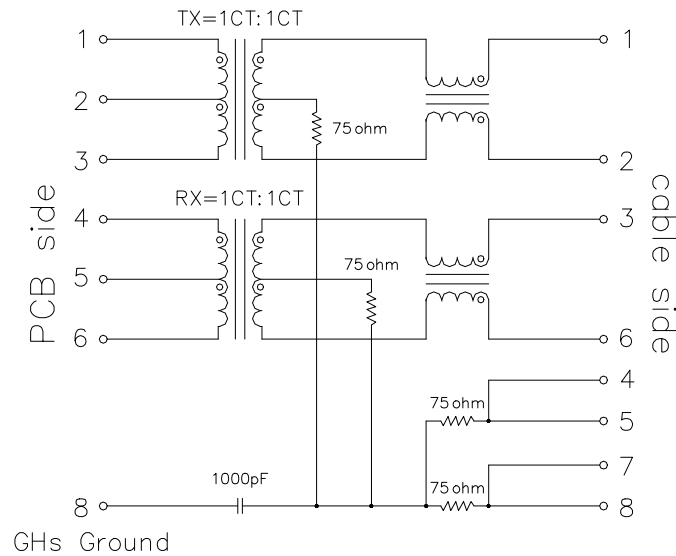
Tel:+86-757-81811611	Fax:+86-757-81811621
E-mail:sales@ceetus.com.cn	Website:www.ceetus.com.cn



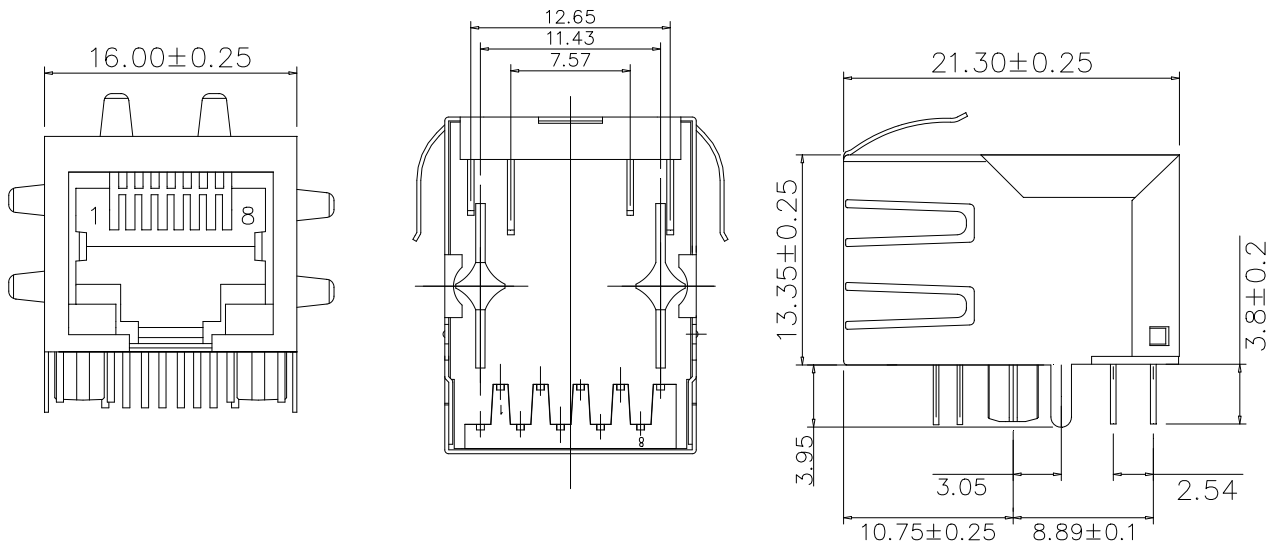
SINGLE RJ45 CONNECTOR MODULE WITH 10/100 BASE-TX MAGNETICS AND LEDS

P/N: J1B1211CCD

Schematic



Mechanical



Units: mm.

Tolerance: ± 0.25 unless specified.

Tel: +86-757-81811611

Fax: +86-757-81811621

E-mail: sales@ceetus.com.cn

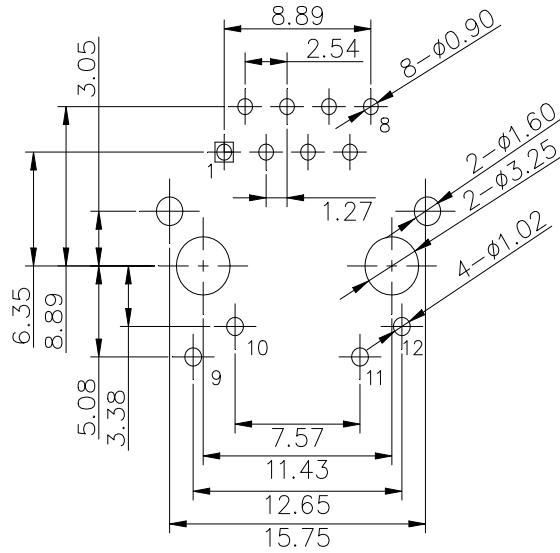
Website: www.ceetus.com.cn



**SINGLE RJ45 CONNECTOR MODULE WITH 10/100 BASE-TX
MAGNETICS AND LEDS**

P/N: J1B1211CCD

PCB Layout Mounting Hole (Top View)



Tel:+86-757-81811611	Fax:+86-757-81811621
E-mail:sales@ceetus.com.cn	Website:www.ceetus.com.cn